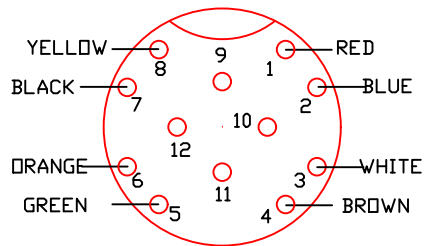
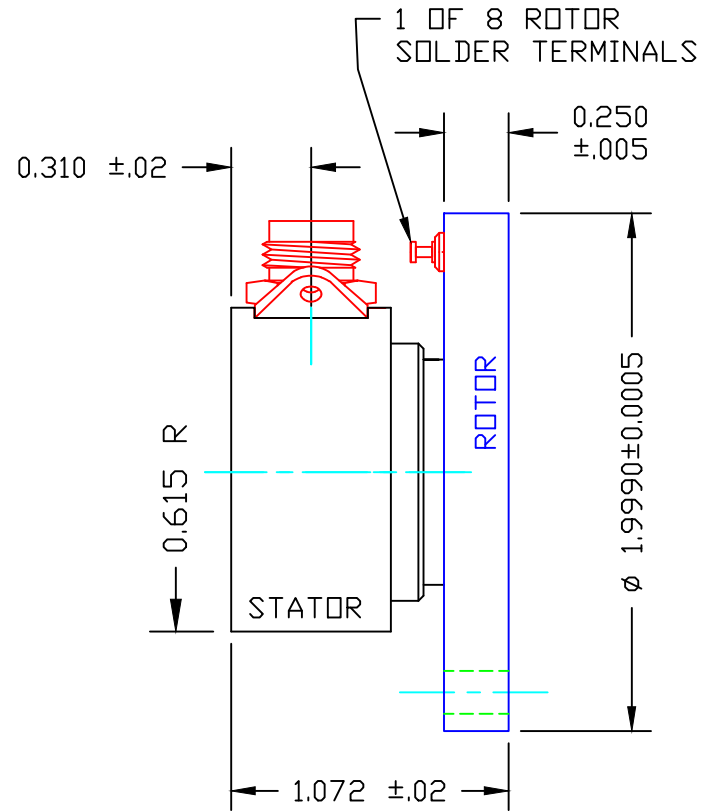
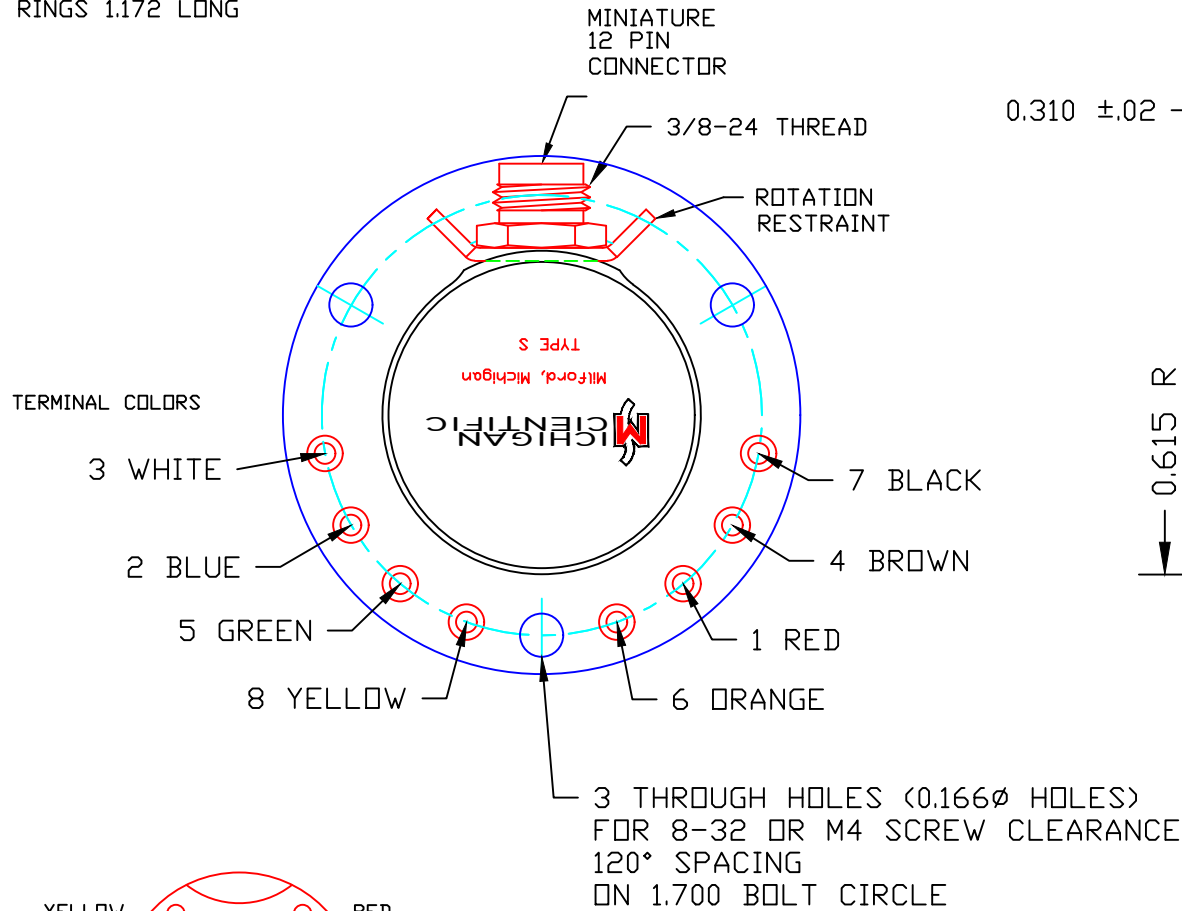


C21381A

MODEL SHORT S8M/X SLIP RING ASSEMBLY

THIS UNIT HAS 8 SLIP RING CONNECTIONS. 4 & 10 RING UNITS ARE ALSO AVAILABLE.
 THE OTHER LENGTHS ARE:
 4 RINGS 0.872 LONG (4 PIN CONNECTOR)
 10 RINGS 1.172 LONG



FRONT VIEW OF MATING CONNECTOR.
 COLORS OF STATOR CABLE WIRES & ROTOR SOLDER TERMINALS.

ALL DIMENSIONS IN INCHES
 DESIGN MAY CHANGE WITHOUT NOTICE

<p>MICHIGAN SCIENTIFIC CORPORATION 08500 ANCE ROAD CHARLEVOIX, MI 49720 PHONE: (231)547-5511 FAX: (231)547-7070</p>				
TOLERANCES .xxxx \pm --- .xxx \pm --- .xx \pm --- ANGLES \pm -'---		DESIGNED BY: KDL	DATE: 11-23-10	SCALE: 1:1
SURFACE FINISH ---RMS		DRAWN BY: KDL	TITLE: SHORT S8M/X	
DRAWING NO.: C213818A		CHECKED BY: KDL	SHT OF SHTS: AH	MATERIAL:

© 2020

W:\SLIPRINGS\IS-SERIES\SHORTS8\C213831A.dwg, 2/5/2021 4:54:24 PM